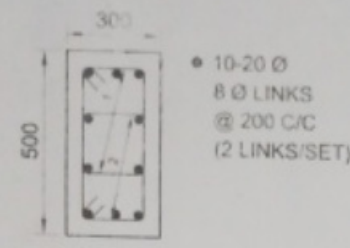
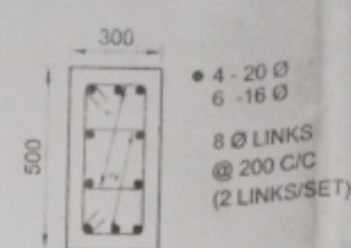


NOTE:
 AT CONTINUOUS SUPPORTS COMMON TO SLABS OF TWO DIFFERENT MARKS
 PROVIDE INSUFFICIENT AREA OF REIN. BETWEEN THE TWO DIFFERENT MARKED SLABS
 (P-ROND LENGTH WHICH EVER IS GREATER)

MUD MAD (REF.)
 GEN. NOTE

SCHEDULE OF COLUMN

COLUMN MARK	COLUMN SIZES & SECTION	
	FDN. TO 2ND.	2ND. TO ROOF
C - ALL COLUMN		

SCHEDULE OF FOUNDATION BEAMS

BEAM MKD.	SIZE		REINFORCEMENT						STIRRUPS	
	WIDTH	DEPTH	SUPPORT		SPAN		CANT. PORTION		AT SUPP. (S1)	AT SPAN (S2)
			TOP	BOTT.	TOP	BOTT.	TOP	BOTT.		
FB1	600	950	6-20 Ø	6-20 Ø 2-20 Ø	6-20 Ø 2-20 Ø	6-20 Ø	6-20 Ø	6-20 Ø 2-20 Ø	4L-10 Ø @ 150 C/C	4L-10 Ø @ 150 C/C
FB2	500	950	6-20 Ø	6-20 Ø 2-20 Ø	6-20 Ø 2-20 Ø	6-20 Ø	6-20 Ø	6-20 Ø 2-20 Ø	4L-10 Ø @ 150 C/C	4L-10 Ø @ 150 C/C
FB3	600	850	6-20 Ø	6-20 Ø	6-20 Ø	6-20 Ø	6-20 Ø	6-20 Ø	6-20 Ø	6-20 Ø
FB4	500	850	6-20 Ø	6-20 Ø	6-20 Ø	6-20 Ø	6-20 Ø	6-20 Ø	6-20 Ø	6-20 Ø

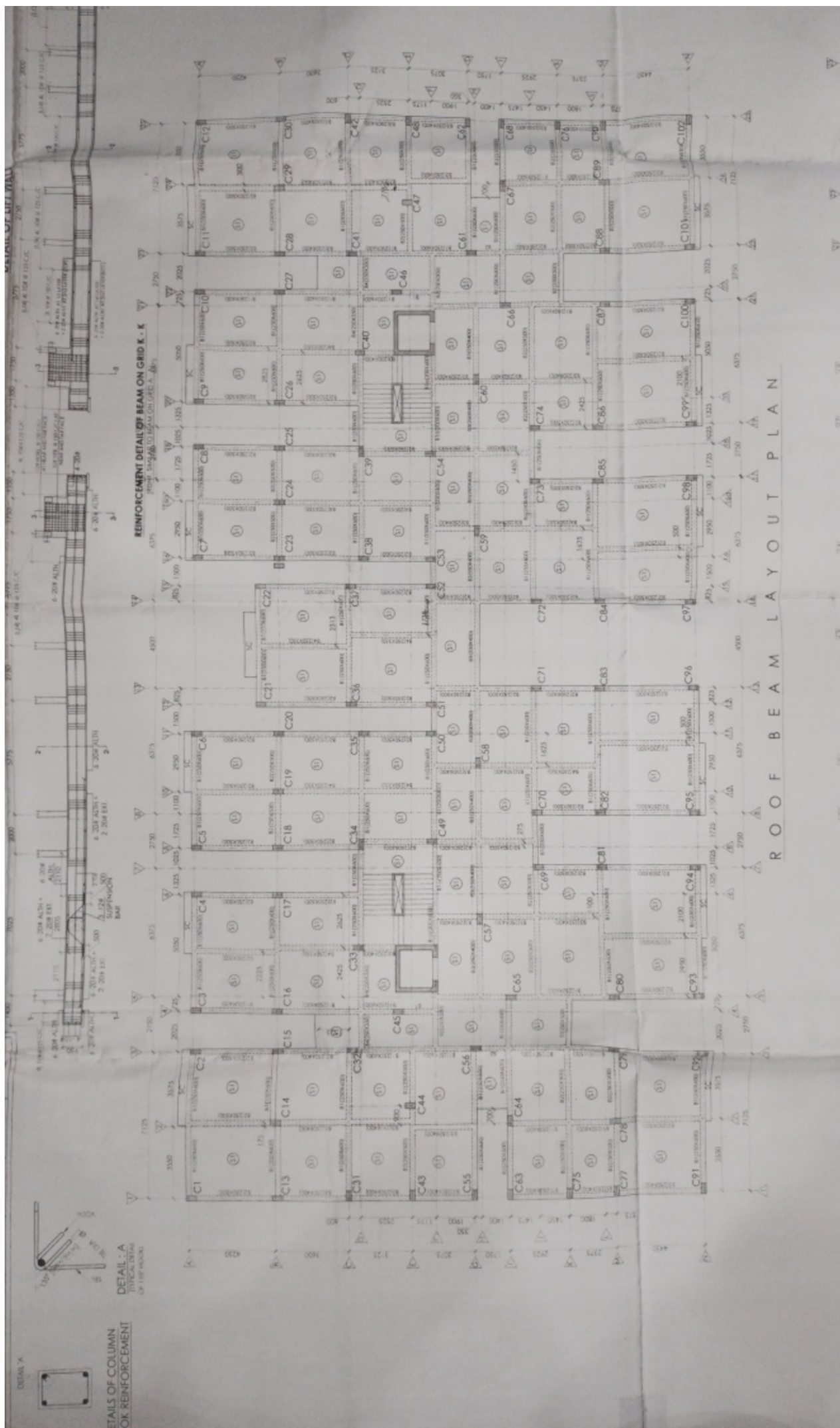
SCHEDULE OF TIE BEAMS/FLOOR BEAMS

BEAM MKD.	SIZE		REINFORCEMENT						STIRRUPS	
	WIDTH	DEPTH	END SUPPORT		SPAN		CONT. SUPP.		AT SUPP. (S1)	AT SPAN (S2)
			TOP	BOTT.	TOP	BOTT.	TOP	BOTT.		
B1	250	600	3-20 Ø 2-20 Ø	2-20 Ø 1-16 Ø	3-20 Ø	4-20 Ø 1-16 Ø	3-20 Ø 2-20 Ø	2-20 Ø 1-16 Ø	2L-8 Ø @ 200 C/C	2L-8 Ø @ 200 C/C
B2	250	500	4-16 Ø 1-20 Ø	4-16 Ø	2-16 Ø 1-20 Ø	4-16 Ø 2-20 Ø	4-16 Ø 1-20 Ø	4-16 Ø	2L-8 Ø @ 200 C/C	2L-8 Ø @ 200 C/C
B3	250	400	4-16 Ø	3-16 Ø	4-16 Ø	5-16 Ø	4-16 Ø	3-16 Ø	2L-8 Ø @ 200 C/C	2L-8 Ø @ 200 C/C
B4	250	350	6-16 Ø	3-16 Ø	6-16 Ø	3-16 Ø	6-16 Ø	3-16 Ø	2L-8 Ø @ 200 C/C	2L-8 Ø @ 200 C/C
TB1	250	350	3-12 Ø	3-16 Ø	3-12 Ø	3-16 Ø	3-12 Ø	3-16 Ø	2L-8 Ø @ 200 C/C	2L-8 Ø @ 200 C/C
TB2	250	400	3-12 Ø	3-16 Ø	3-12 Ø	3-16 Ø	3-12 Ø	3-16 Ø	2L-8 Ø @ 200 C/C	2L-8 Ø @ 200 C/C

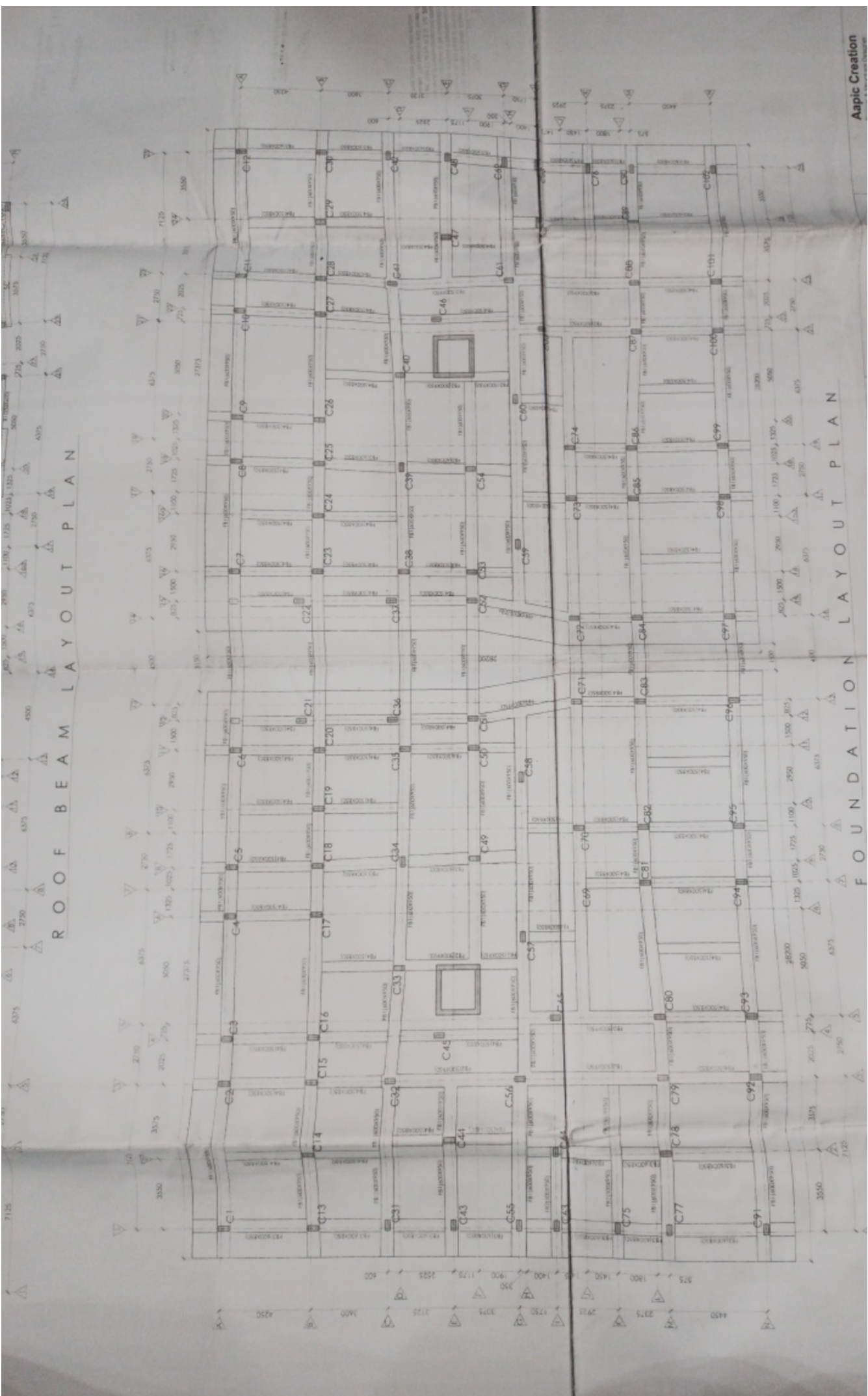
SCHEDULE OF FLOOR SLABS

SLAB MKD.	SLAB THK.	REINFORCEMENT					
		ALONG SHORTER DIRECTION			ALONG LONGER DIRECTION		
		DISCONT. SUP. (TOP)	SPAN (BOTT.)	CONT. SUP. (TOP)	DISCONT. SUP. (TOP)	SPAN (BOTT.)	CONT. SUP. (TOP)
S1	110	8 Ø @50 C/C	8 Ø @150 C/C	8 Ø @150 C/C	8 Ø @200 C/C	8 Ø @200 C/C	8 Ø @200 C/C
S2	110	8 Ø @50 C/C	8 Ø @150 C/C	8 Ø @150 C/C	8 Ø @200 C/C	8 Ø @200 C/C	8 Ø @200 C/C

DETAIL 'A'



ROOF BEAM LAYOUT PLAN



FOUNDATION LAYOUT PLAN

Aapic Creation

GENERAL NOTES:-

1. ALL DIMENSIONS ARE IN MM.
2. WRITTEN MEASUREMENTS SHOULD BE FOLLOWED ALWAYS. DRAWINGS SHOULD NOT BE SCALED.
3. IN CASE OF ANY DISCREPANCY NOTICED IN THE DRAWINGS, IMMEDIATELY INFORM THE ARCHITECTS, BEFORE PROCEEDING WITH ANY WORK ON THAT PART.
4. ALL REINFORCING BAR WILL CONFORMS TO GRADE Fe-415 OF IS: 1786-1979 (H.Y.S.D.BAR).
5. CONCRETE SHALL BE FOLLOWING GRADE AS PER IS: 456-2000 a) FOUNDATION - M20
b) SUPERSTRUCTURE - M20
6. CLEAR COVER TO MAIN REINFORCEMENT :
a) FOUNDATION - 50 b) COLUMNS - 40 c) I/E BEAMS - 30 d) FLOOR BEAMS - 30 e) FLOOR SLAB - 20
7. LAP LENGTH OF TENSILE REINFORCEMENT SHOULD BE 50 XD AND IN COMPRESSION 40 X D WHERE "D" IS THE SMALLER DIAMETER OF BAR
8. ALL LEAN CONCRETE SHALL BE 1:3:6 AND 75 M.M. THK
9. UNLESS SPECIFIED OTHERWISE ALL HOOKS, BENDS, LAPS, SPLICED ETC. SHALL BE AS PER RELEVANT INDIAN STANDARDS.
10. THE NET BEARING PRESSURE FOR FOUNDATION DESIGN HAS 2 BEEN KEPT WITHIN 8 T/M AT 1.5 M. BELOW GROUND LEVEL.

NAME OF OWNER :

- 1) BAHUBALI TIE-UP PVT. LTD.
- 2) BARON SUPPLIERERS PVT. LTD.
- 3) TRITON COMMERCIAL PVT. LTD.
- 4) HEADMAN MERCANTILE PVT. LTD.
- 5) KASTURI TIE-UP PVT. LTD.

SIGNATURE OF OWNERS /
CONSTITUTED POWER OF ATTORNEY :

Pradeep Hirewani

Pradeep Hirewani

Pradeep Hirewani

Pradeep Hirewani

Pradeep Hirewani

CERTIFICATES OF ENGINEER :

IT IS TO CERTIFIED THAT THE FOUNDATION AND SUPER STRUCTURE HAVE BEEN SO DESIGNED BY ME THAT SAFE IN ALL RESPECTS INCLUDING THE CONSIDERATION OF BEARING CAPACITY AND SETTLEMENT OF SOIL, ETC.

[Signature]
JAYDEEP TAPADER
 M. TECH CIVIL ENGINEER (GEO TECH)
 ID NO. - 20031123292
 PANHATI MUNICIPALITY

[Signature]
AVIJIT PHANI
 B. TECH (CIVIL)
 Structural Civil Engineer
 Enrolment No. - C/7857

[Signature]
ASIT HALDER L.B.S.
 ENLISTMENT NO. 2203118531
 Northern Plaza, 94, North Station Road,
 Agartala, Kolkata-700109

ASIT HALDER (DCE)
 SIGNATURE OF L.B.S.

Aapic Creation
 Planner & Structural Designer
 Asit Halder, 9830440710, Northern Plaza, 94 North Station Road, Agartala
 Kolkata - 700 109, e-mail : aapiccreation@gmail.com

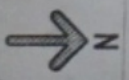
TITLE :

GROUND & FIRST FLOOR PLAN, ROOF BEAM LAYOUT.

PROJECT :
 REVISED SIX (G+V) STORED RESIDENTIAL CUM COMMERCIAL BUILDING PLAN AT MOUZA - NATAGARH, R.S. DAG NO. 1908, 1907/2079, KHATAN NO. - 551, J.L. NO. - 15, R.S. NO. - 101, TOUZI NO. - 155, HOLDING NO. - 507, AT NATAGAR MAIN ROAD, WARD NO. - 33, P.S. - GHOLA, DIST. - 24 PGS. (N), UNDER PANHATI MUNICIPALITY.

DATE :	30.10.2021	DWG. NO.	
REV. NO.		NIC. SCOPED F. 03/21/13/PM	
SCALE	1:100 1:50 1:200	A-01	
DRAWN BY/ A/C	A/C		
CHK. BY	A. HALDER		

THIS DRAWING IS THE SOLE PROPERTY OF AAPIC CREATION AND IS NOT TO BE REPRODUCED OR CIRCULATED IN ANY MANNER OTHER THAN THE PURPOSE FOR WHICH IT IS ISSUED WITHOUT THEIR WRITTEN PERMISSION.



6

380

24 DEC 2021

.....Date.....
The plan has been sanctioned subject to rules & the condition that Notice of commencement of work and certificate of completion/occupancy should be submitted to the municipality within one month of commencement and completion as per Rule 21 of the W.B.M. Act. 2007 as amended. This sanction shall remain of valid for three years from the date sanction

Shree
24/12/21

Sub Assistant Engineer
Panihati Municipality

[Signature]
24/12/21

Asst. Engineer
Panihati Municipality

SANCTIONED

[Signature]

Executive Officer
Panihati Municipality

24 DEC 2021